

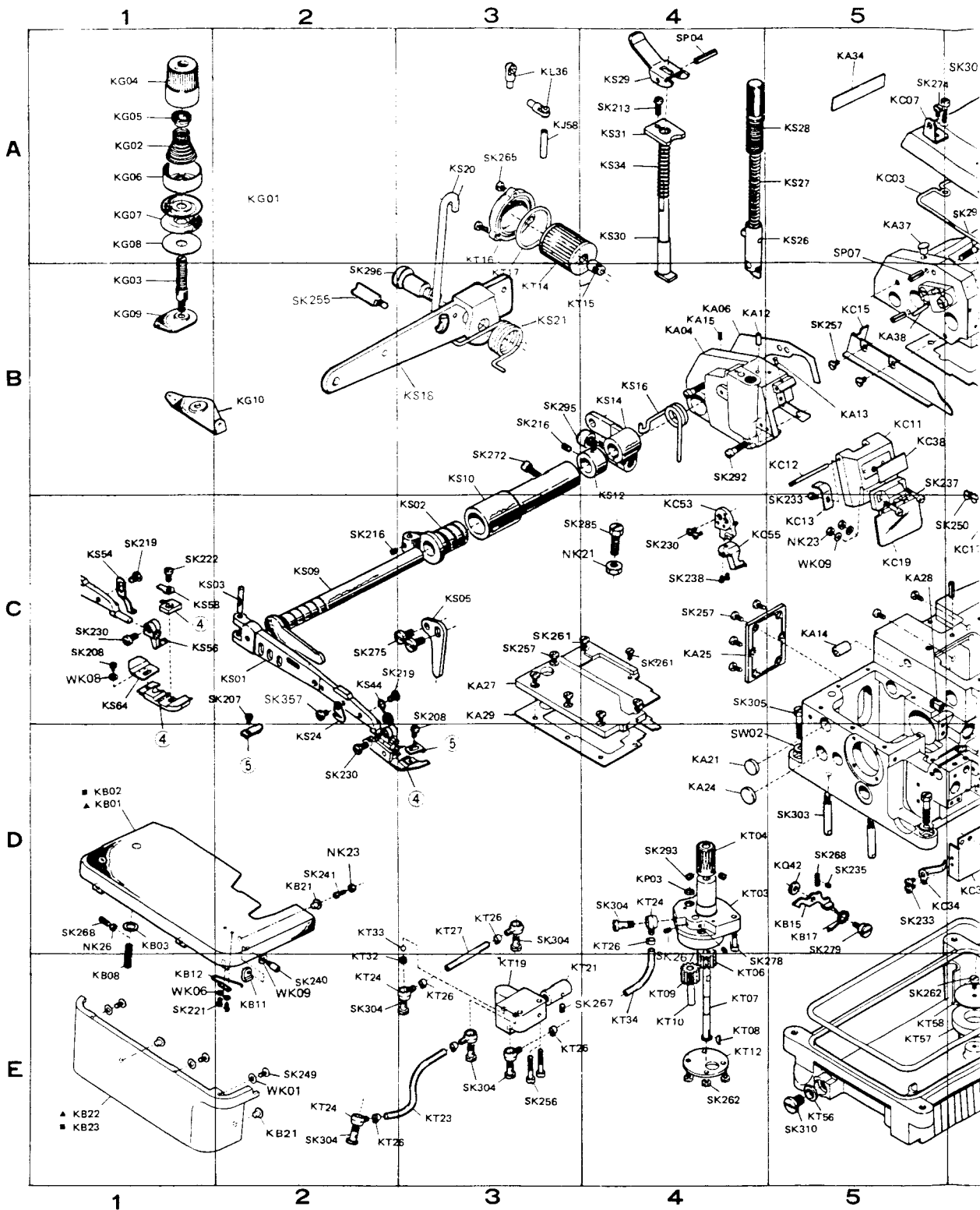
# PARTS LIST

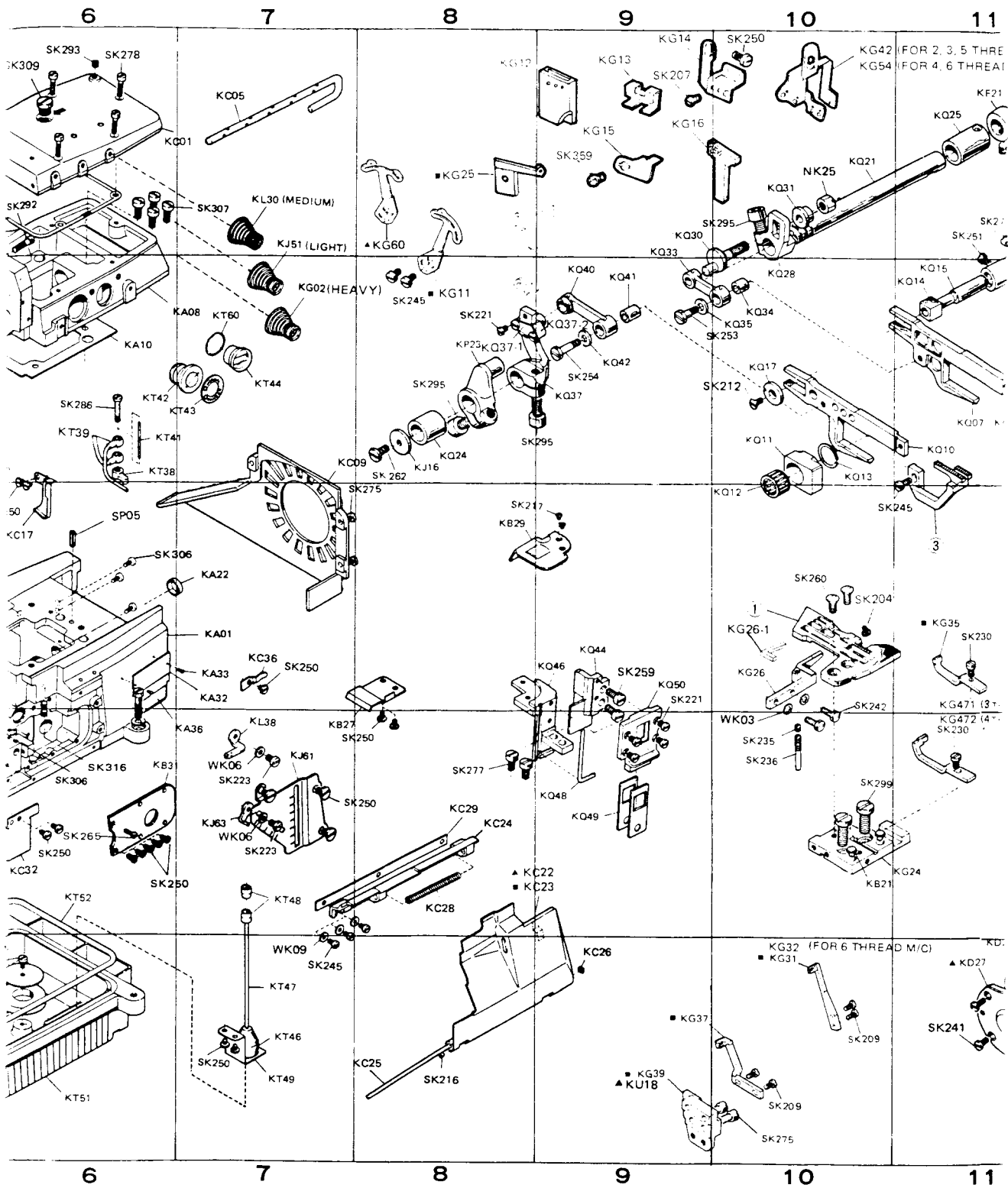
390 Series

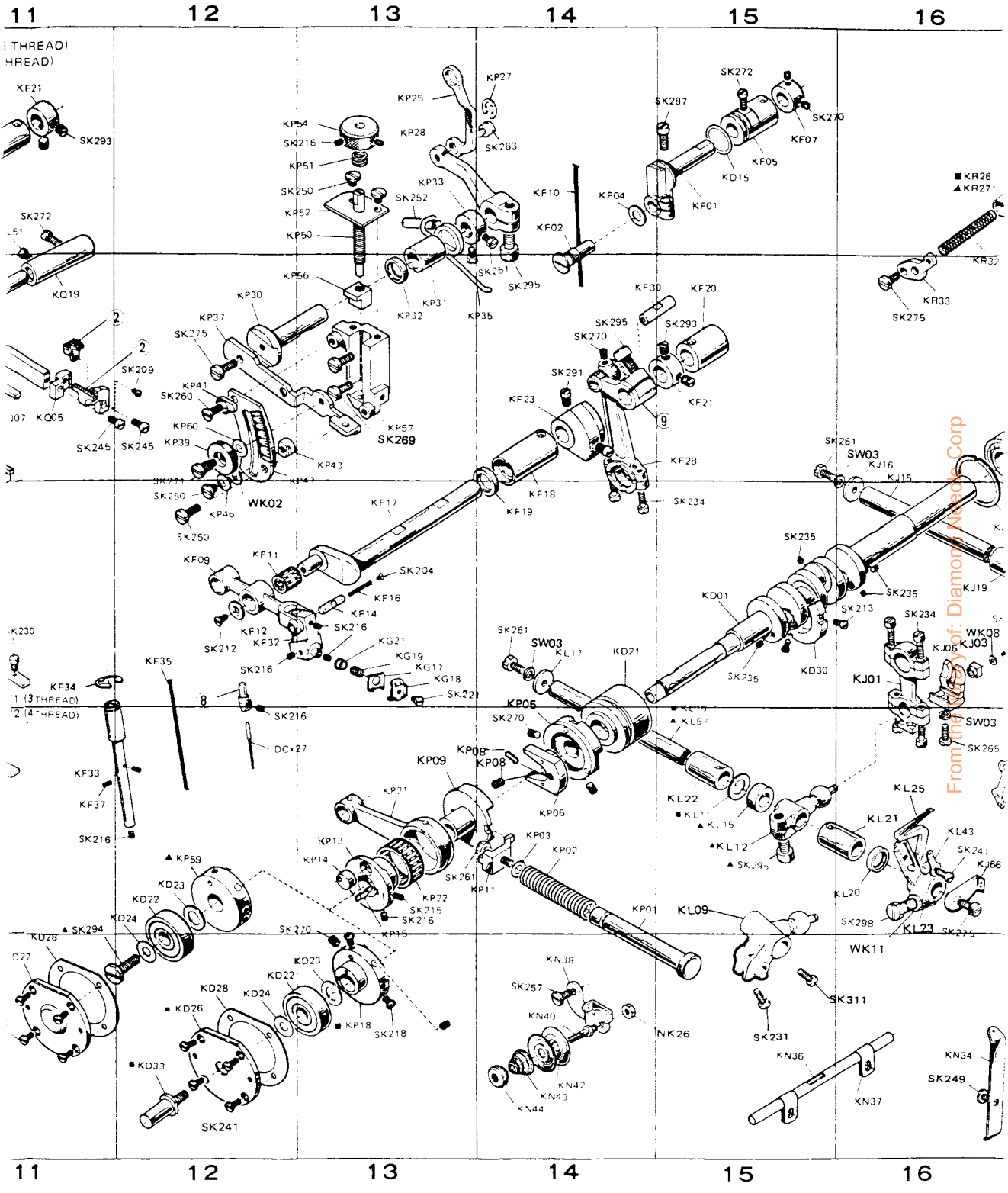
390 SERIES

ULTRA HIGH SPEED  
**OVERLOCK MACHINE**  
**SAFETY STITCH MACHINE**

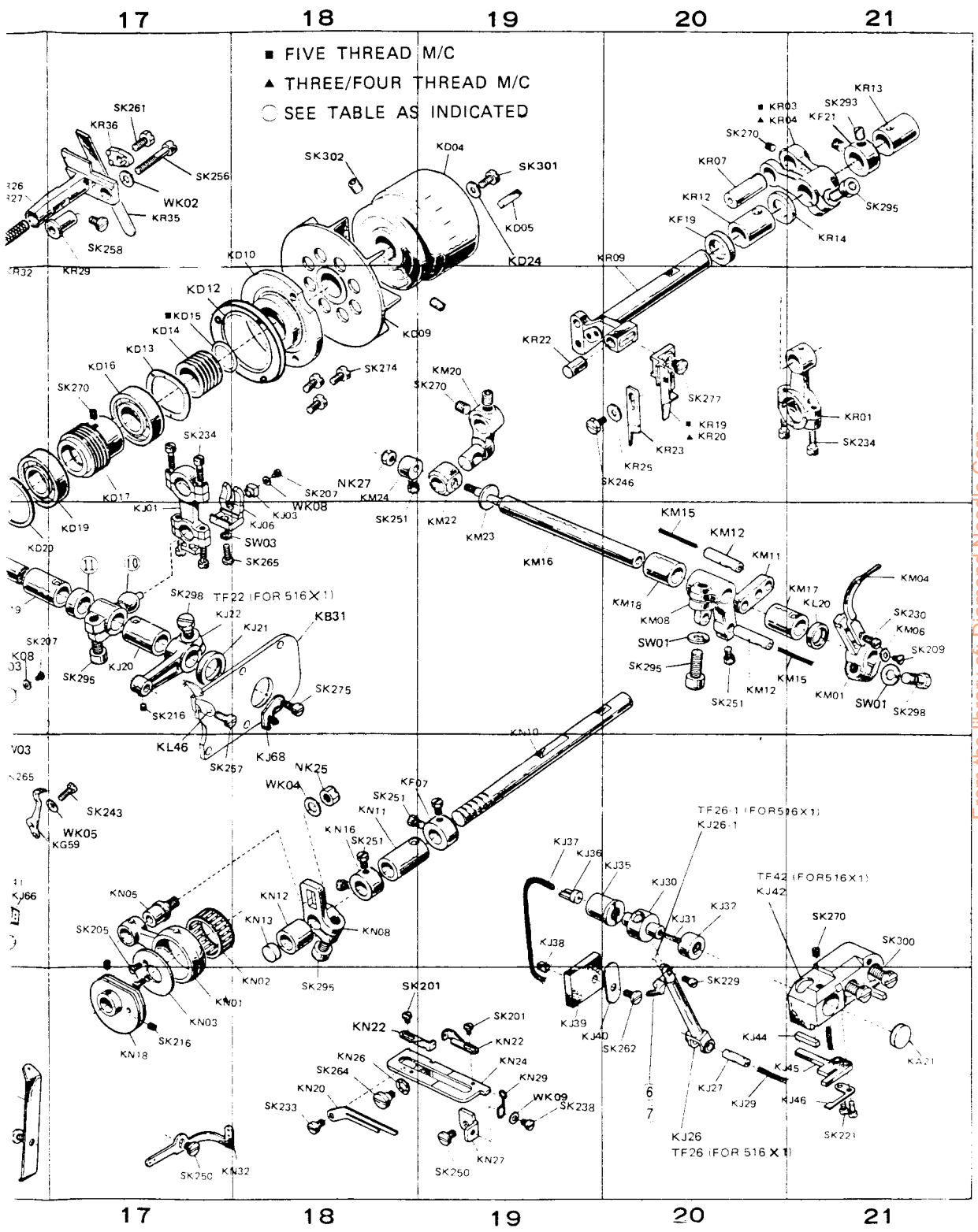
From the library of: Diamond Needle Corp



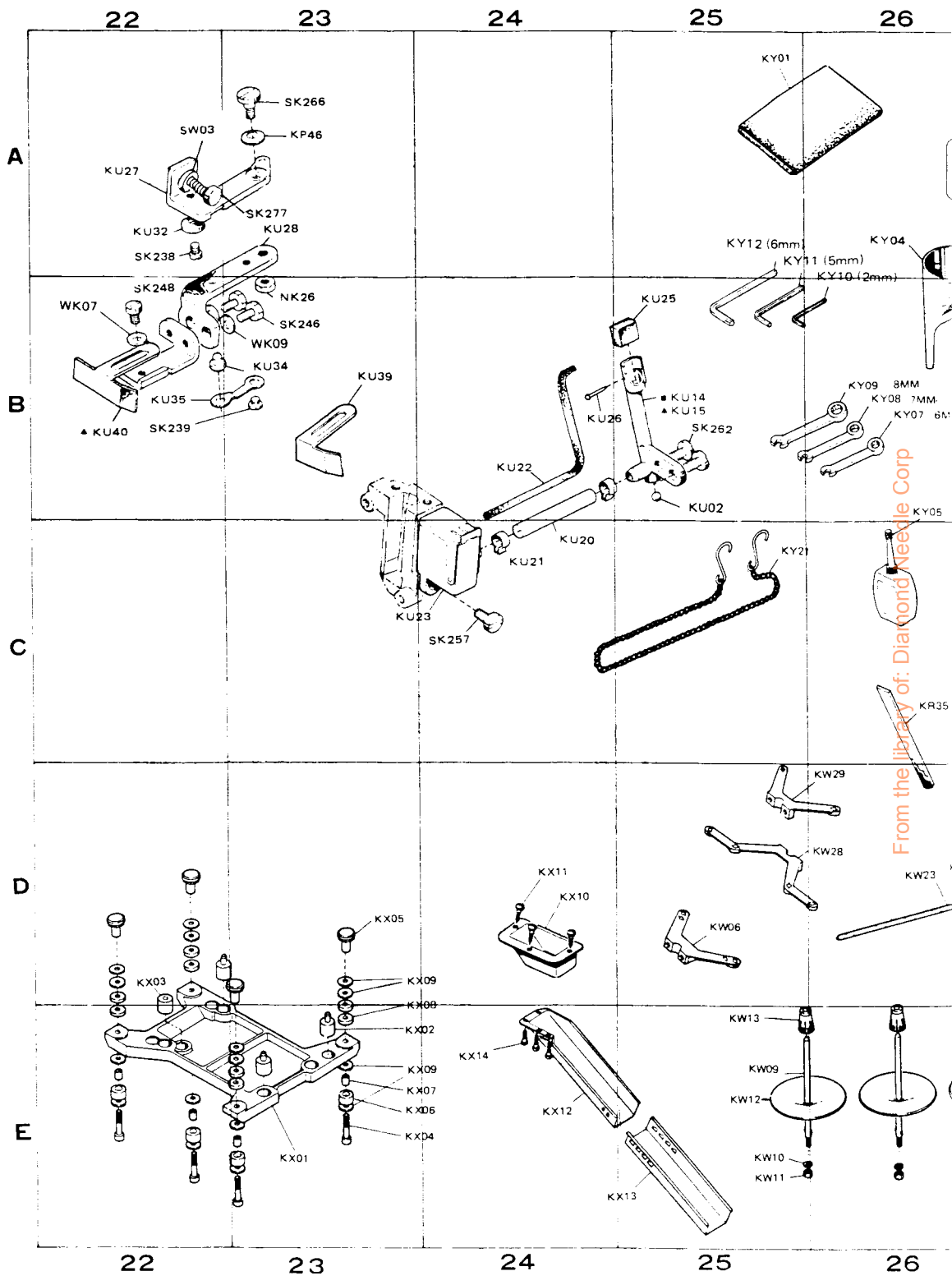




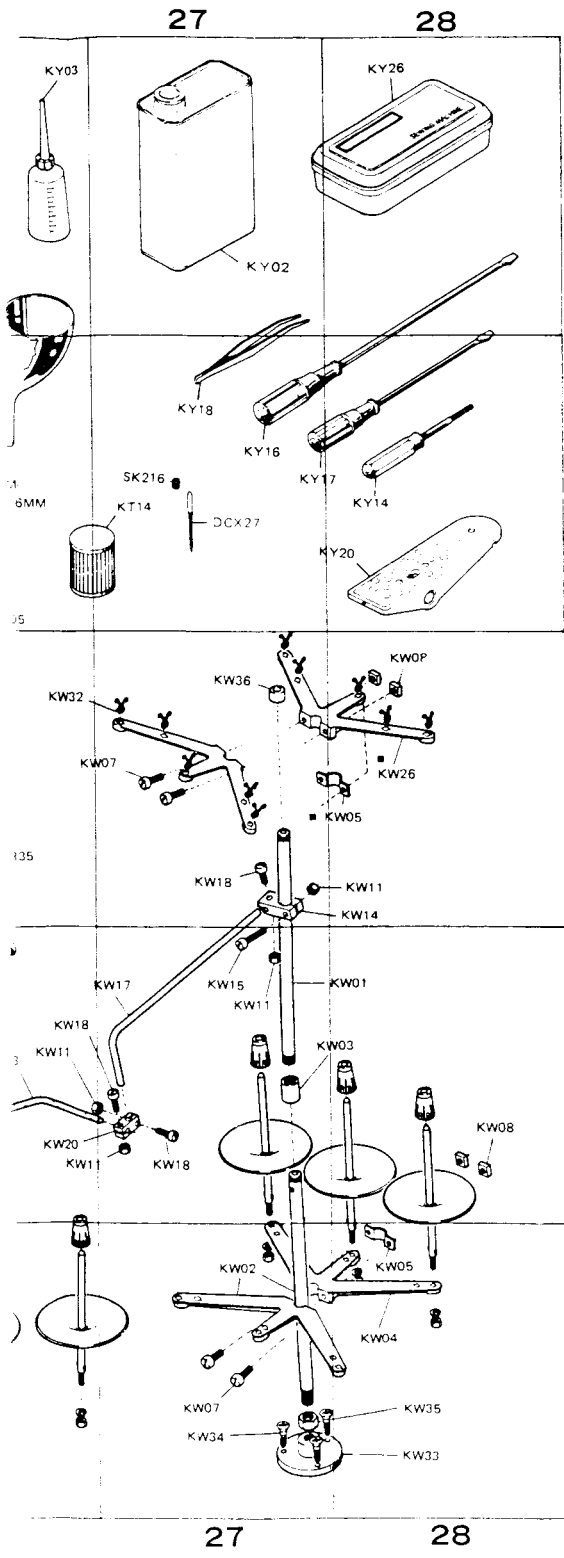
From the Dept. of Diamond Needs Corp



From the library of: Diamond Needle Corp



From the library of: Diamond Needle Corp



A

B

C

D

E

SEWING TYPE -SPEC	GAUGE NG SM	NEEDLE PLATE ①	FEED COMP. MAIN + AUX. ②	DIFF. FEED DOG ③	SHAPE	PITCH
503F1 - 04	4	E784	(D569) D438 + D674	H442		1.6
504M1 - 15	1.5	E934	(D290) D438 + D912	H442		1.6
504M2 - 04	4	E800	(D575) D440 - D095	H445		1.6
504M3 - 04	4	E796	(D574)	H445		1.6
504M3 - 05	5	E797	D440 + D674	H445		1.6
504H4 - 04	4	E800	(D996) D958 - D095	H959		1.6
505F1 - 03	3	E783	(D996)	H442		1.6
505F1 - 04	4	E784	D438 + D674	H442		1.6
512M1 - 24	2 4	E809	(D575)	H445		1.6
512M1 - 25	2 5	E810	D440 - D095	H445		1.6
514M2 - 24	2 4	E809	(D575)	H445		1.6
514M2 - 25	2 5	E810	D440 + D095	H445		1.6
514M4 - 23	2 3	E804	(D574)	H445		1.6
514M4 - 24	2 4	E805	D440 - D674	H445		1.6
514H4 - 24	2 4	E809	(D996)	H959		1.6
514H4 - 25	2 5	E810	D958 + D095	H959		1.6
516L1 - 24	2 4	E834	(D579) D487 - D060	H492		1.6
516L1 - 35	3 5	E834	(D579) D487 - D060	H492		1.6
516M1 - 55	5 5	E851	(D581) D489 + D502	H494		1.6
516H1 - 55	5 5	E351	(D582) D490 + D502	H495		2.5
516H4 - 35	3 5	E982	(D002) D008 + D502	H957		1.6
516H4 - 55	5 5	E986	(D003) D956 + D502	H957		1.6
516X1 - 55	5 5	E853	(D582)	H495		2.5
516X1 - 56	5 6	E854	D490 + D502	H495		2.5

- KA -

- 7C KA01
- 4B KA04
- 4B KA06
- 5A SP07
- 6B KA08

- 6B KA10
- 6C KA11
- 4B KA12
- 5B KA13
- 5C KA14
- 4B KA15
- 4D KA21
- 21E KA21
- 7C KA22
- 4D KA24
- 4C KA25
- 3C KA27
- 5C KA28
- 3C KA29
- 7C KA32
- 7C KA33

- 5A KA34
- 7D KA36
- 5A KA37
- 5B KA38

- KB -

- 1D KB01
- 1D KB02
- 1D KB03
- 2D NK23
- 1D NK26
- 1E KB08
- 2E WK09
- 2E KB11
- 1E KB12

- KD -

- 1E WK06
- 5D KB15
- 5D KB17
- 10D KB21

1E KB22

- 1E KB23
- 2E WK01
- 7D KB27
- 8C KB29
- 6D KB31

- 17B KD09
- 18A KD10
- 17B KD12
- 17B KD13
- 17B KD14
- 17B KD15
- 15A KD15
- 17B KD16
- 17B KD17
- 17C KD19
- 16C KD20
- 14C KD21
- 12E KD22
- 12D KD22
- 13E KD23
- 12D KD23
- 12E KD24
- 19A KD24
- 12E KD26
- 11E KD27
- 11E KD28
- 12E KD28
- 15C KD30
- 12E KD33

- 12D KD24
- 19A KD24
- 12E KD26
- 11E KD27
- 11E KD28
- 12E KD28
- 15C KD30
- 12E KD33

- KC -

- 6A KC01
- 5A KC03
- 7A KC05
- 5A KC07
- 7B KC09
- 5B KC11
- 5B KC12
- 5C KC13
- 5B KC15
- 6C KC17
- 5C KC19
- 5C NK23
- 5C WK09
- 9D KC23
- 9D KC24
- 8E KC25
- 9F KC26
- 8D KC28
- 8D KC29
- 7E WK09
- 6D KC32
- 5D KC34
- 7C KC36
- 5B KC38
- 4C KC53
- 4C KC55

- KF -

- 15A KF01
- 14A KF02
- 14A KF04
- 15A KF05
- 15A KF07
- 13C KF07
- 12C KF09
- 14A KF10
- 12C KF11
- 12C KF12
- 13C KF14
- 13C KF16
- 12C KF17
- 14F KF18

20A KF19

- 14C KF19
- 15B KF20
- 15B KF21
- 21A KF21
- 11A KF21
- 14B KF23
- 14B KF25
- 14B KF26
- 15B KF28
- 14B KF30
- 12C KF32
- 11D KF33
- 11C KF34
- 12C KF35
- 11D KF37

- KG -

- 2A KG01
- 1A KG02
- 1B KG03
- 1A KG04
- 1A KG05
- 1A KG06
- 1A KG07
- 1A KG08
- 1B KG09
- 2B KG10
- 8B KG11
- 12D DCX27
- 27B DCX27
- 9A KG12
- 9A KG13
- 9A KG14
- 9A KG15
- 9A KG16
- 12C KG17
- 15C KG18
- 13C KG19
- 13C KG21
- 11D KG24
- 5A KG25
- 12C KG26

- KH -

- 11C KG35
- 10E KG37
- 9E KG39
- 10A KG42
- 11C KG47
- 11D KG47
- 10A KG54
- 11C KG59
- 11D KG05
- 5A KG60
- 17B KJ01
- 16C KJ03
- 18C KJ03
- 18B WK08
- 18B KJ06
- 16C KJ06
- 18C SW03
- 17C KJ09
- 17C KJ10
- 17C KJ11
- 17C KJ12
- 16B KJ15
- 16B KJ16
- 8B KJ16
- 16B SW03
- 15C KJ19
- 17C KJ20
- 18C KJ21
- 17C KJ22
- 20C KJ26
- 20C KJ26-1
- 20C KJ27
- 20B KJ29
- 20B KJ30
- 20B KJ31

Diamond Needle Corp



RE:SER DOT COMP	FABRIC GUARD	UPPER LOOPER	SPREA- DER	NEEDLE HOLDER	NEEDLE DRIVE CRANK	UPPER LOOPER DRIVE CRANK	WASHER	NDL SIZE	FOOT LIFT mm
152E/ F155C			LP21	KG131	KF25 STD	KJ09	KJ10	9	5.5
152E F525	KS62	LP22		KG131	KF25 STD	KJ09	KJ10	11	5.5
P230C/ F371	KS62	LP22		KG131	KF25 STD	KJ09	KJ10	9	5.5
230C/ F371	KS62	LP22		KG131	KF25 STD	KJ09	KJ10	9	5.5
P136		LP24		KG131	KF26 GA, HI	KJ11	KJ13	11	6.0
152E/ F155C		LP22		KG131	KF25 STD	KJ09	KJ10	9	5.5
253/ F374	KS62	LP34		KG142	KF26 HI	KJ11	KJ13	14	6.0
253 F503/ 53 F374	KS62	LP24		KG142	KF26 HI	KJ11	KJ13	11	6.0
30C F503/ 30C F374	KS62	LP24		KG142	KF25 STD	KJ11	KJ13	9	5.5
P136		LP24		KG142	KF26 GA, HI	KJ11	KJ13	11	6.0
P998 P504	KS42	LP22 (LP21)		KG152 KG153	KF25 STD	KJ11	KJ10	11	5.5
P502	KS42	LP24 (LP23)		KG155	KF25 STD	KJ11	KJ10	14	5.5
P502	KS42	LP24 (LP23)		KG155	KF26 HI	KJ11	KJ12	16	6.0
P508 P509	KS42B	LP24 (LP23)		KG153 KG155	KF25 GA, STD	KJ11	KJ10	14	5.5
P955	KS47	LP38 (LP23)		KG155	KF26 HI	KJ11	KJ12	21	6.0

GROUP PARTS NUMBER

KB100	- Cloth Plate (Narrow) for 3, 4 Thread KB01, KB03, KB08, KB11, KB12, KB21, NK23, NK26, SK221, SK 240, SK241, SK268, WK06, WK09
KB101	- Cloth Plate (Wide) for 5 Thread KB02, KB05, KB09, KB17, KB18, KB21, NK23, NK26, SK221, SK240, SK241, SK268, WK06, WK09
*KF100	- Needle Holder Guide KF32, KF33, KF34, KF35, KF37, SK216
*KF100	- Needle Thread Lubricator Complete for 3, 4 Thread KF12, KF13, KG14, KG15, KG19, SK201, SK250, SK359
*KG101	- Needle Thread Lubricator Complete for 5 Thread KG12, KG13, KG14, KG15, KG16, KG25, SK207, SK250, SK359
KG120	- Thread Tension Complete with Heavy Spring KG02, KG03, KG04, KG05, KG06, KG07, KG08, KG09
KG121	- Thread Tension Complete with Medium Spring KL30, KG03, KG04, KG05, KG06, KG07, KG08, KG09
KG122	- Thread Tension Complete with Light Spring KG01, KG03, KG04, KG05, KG06, KG07, KG08, KG09
KG123	- Thread Tension Complete with Heavy Spring for 4, 5 Thread KG02, KG03, KG04, KG05, KG06, KG07, KG08, KG10
KJ100	- Upper Looper Holder KJ26, KJ30, KJ31, KJ25-1, SK229
KJ110	- Base/Upper Looper Holder Guide KA21, KJ32, KJ42, SK270, SK360
KN100	- Bracket/Looper Thread Tension KN36, KN40, KN42, KN43, KN44, NK26, SK257
*KQ100	- Crank Complete/Diff. Feed KQ37, KQ37-1, KQ37-2, SK221, SK295
*KQ110	- Feed Bar KQ07, KQ10
KT100	- Gear Pump Complete KT03, KT04, KT06, KT07, KT08, KT09, KT10, KT12, KT24, KT26, KT34, KP03, SK262, SK267, SK278, SK293, SK304
KT110	- Oiler Reservoir KT51, KT56, KT57, KT58, SK262, SK305, SK310, SW102
*KT120	- Indicator Complete KT46, KT47, KT48
KU100	- Needle Cooler Complete Set for 3, 4 Thread KU22, KU16, KU23, KU21, KU22, KU23, KU25, KU26, SK257, SK262
KU101	- Needle Cooler Complete Set for 5 Thread KU02, KU16, KU20, KU21, KU22, KU23, KU25, KU26, SK257, SK262
KW100	- Thread Stand Complete for 3 Thread KW01, KW02, KW03, KW04, KW05, KW07, KW08, KW09, KW10, KW11, KW12, KW13, KW14, KW15, KW17, KW18, KW20, KW23, KW26, KW28, KW32, KW33, KW34, KW36, KW38
KW101	- Thread Stand Complete for 4, 5 Thread KW01, KW02, KW03, KW04, KW05, KW07, KW08, KW09, KW10, KW11, KW12, KW13, KW14, KW15, KW17, KW18, KW20, KW23, KW26, KW28, KW32, KW33, KW34, KW36, KW38
KW102	- Thread Stand Complete for 6 Thread KW11, KW12, KW13, KW14, KW17, KW18, KW20, KW23, KW26, KW28, KW32, KW33, KW34, KW36, KW38
KX100	- Drive Complete KX10, KX11, KX12, KX13, KX14
KX110	- Parts for Maching Rest Board KX02, KX03, KX04, KX05, KX06, KX07, KX08, KX09

\* Parts can only be supplied by group.

JD KJ32	7A KL30 3A KL36	18E KN20 19E KN22	14B KP35 12B KP37 12B KP39	9B KQ42 9C KQ44	4B KS16 4C NK21	3E KT23 3E KT24 2E KT24 3E KT26 2E KT26	22A KU32 23B KU34 22B KU35 23B KU39 22A SW03	28E KW33 27E KW34 28E KW35 27C KW36
JD KJ35	7D KL38	19E KN24	12B KP41	9C KQ46	3B KS18	2E KT26	22B KU40	- KX -
JD KJ36	7D WK06	18E KN26	13B KP42	9D KQ48	3A KS20	4E KT26	22B KU40	
JD KJ37	16D KL43	19E KN27	13B KP43	9D KQ49	3B KS21	4E KT27	22B KU43	23E KX01
JD KJ38	17D KL46	19E KN29	12B WK02	9C KQ50	2D KS24	3D KT27	22B KU43	23E KX02
DE KJ39	15D KL57	19E WK09	12C KP46 12B KP47	- KR -	5A KS26	2E KT32	23B WK09	22D KX03
DE KJ40	- KM -	17E KN32	12B KP47		5A KS27	4E KT34		23E KX04
DE KJ42		16E KN34	13A KP50	21B KR01	5A KS28			23D KX05
DE KJ44	21C KM01	15E KN36	13A KP51	21A KR03	4A KS29	6B KT38	- KW -	23E KX06
DE KJ45	21C SW01	16E KN37	13A KP52	21A KR04	4A KS30	6B KT39	27D KW01	23E KX07
DE KJ46	21C KM04	14E KN38	13A KP54	20A KR07	4A KS31	6B KT41	27D KW02	23D KX08
	21C KM06		13B KP56	20A KR09		6B KT42	28D KW03	23D KX09
	20C KM08	14E KN40			4A SP04	7R KT43	28E KW04	23D KX10
DA KJ51		15E KN26	13B KP57	20A KR12	4A KS34		28E KW05	24D KX10
DA KJ58	20C SW01	14E KN42	12D KP59	21A KR13	4A KS34		28E KW06	24D KX11
DA KJ61	20C KM11	14E KN43	12B KP60	21A KR14	3D KS42	7B KT44	28E KW07	25E KX13
DA KJ63	20C KM12	14E KN44		20B KR19	2C KS44	7E KT46	28E KW08	24E KX14
DA KW06	20C KM15			20B KR20	1C KS54	7E KT47	28C KW05	24D KX11
DA KJ68	19C KM16	- KP -	- KQ -			7E KT48	25D KW06	24D KX12
		14D KP01	11B KQ05	19B KR22	1C KS56	7E KT49	27C KW07	25E KX13
		14D KP02	11B KQ07	20B KR23	1C KS58		27C KW07	24E KX14
		4D KP03	11B KQ10	20B KR25	1C KS60	6E KT51	28D KW08	
		19B KM20	10B KQ11	16A KR26	1C KS61	6D KT52		- KY -
		19B KM22	14C KP05	16A KR27	2C KS62	4D SW02	28C KW08	25A KY01
		14D KP06				5E KT56	25E KW09	27A KY02
			10B KQ13	17A KR29	1C KS64	5E KT57	25E KW10	26A KY03
		18B KM24	11B KQ14	17A WK02	1C WK08		25E KW11	26A KY04
DC WK08	18B NK27	13D KP08	11A KQ15	16A KR32		5E KT58	26D KW11	26B KY05
DC 3W03		13D KP09	10B KQ17	16B KR33	- KT -	7B KT60		26B KY07
DC KL09	- KN -	14D KP11	10B KQ19	17A KR35			27D KW11	26B KY08
		13D KP13					28C KW11	26B KY09
			10A KQ21	26C KR35	4D KT03	- KU -	25E KW12	26A KY10
DD KL11	17E KN01	13D KP15	9B KQ24	17A KR36	4E KT04		25D KW13	26A KY11
DD KL12	18E KN02	13D KP18	11A KQ25		4E KT06	25B KU14	28C KW14	25A KY12
DD KL15	17E KN03	13D KP21	10A KQ28		4E KT07	3E KU18		28B KY14
DD KL16	17D KN05	13D KP22	9A KQ30	- KS -		24B KU20	27D KW15	27B KY16
DD KL17	18D WK04	3B KP23				24C KU21	27D KW17	28B KY17
			10A KQ31	2C KS01	4E KT10		27D KW17	28B KY18
DD SW03	18D NK25		10A NK25	3C KS02	4E KT12	24B KU22	27D KW18	27B KY18
DD KL20	18D KN08	13A KP25	9A KQ33	2C KS03	3B KT14	24C KU23	26D KW20	29B KY20
DD KL20	19C KN10	14A KP27	10B KQ34	3C KS05	25B KT14	25B KU25		25C KY21
DD KL21	18D KN11	13A KP28	10B KQ35	2C KS09	4E KT15	24B KU26	26D KW23	28C KY26
DD KL22	18D KN12	12B KP30	13B KP31		3B KT16	22A KU27	28C KW26	
					3B KT17	23A KU28	26C KW29	
DD KL23	18D KN13		9B KQ37	3B KS10	3F KT19	23A KP46	24C KW29	
DD KL25	18D KN16	13B KP32	9B KQ40	4B KS12	3E KT21	23B NK26	25D KW32	
DD WK11	17E KN18	13A KP33	9B KQ41	4B KS14				